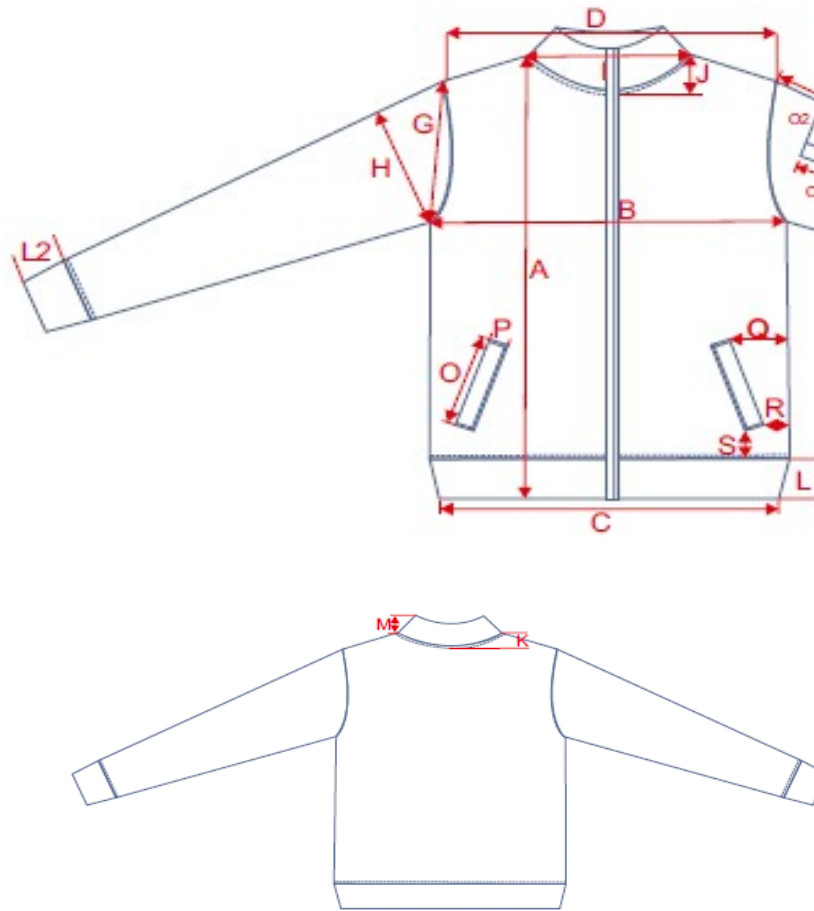


**TB861 (no.50) Basic Bomber Jacket**

|                            | Description                         |    | S   | M   |
|----------------------------|-------------------------------------|----|---|-----|
| <b>A</b>                   | Length                              | cm | 66  | 68  |
| <b>B</b>                   | 1/2 Chest Width                     | cm | 55  | 58  |
| <b>C</b>                   | 1/2 Hem Width                       | cm | 38  | 41  |
| <b>D</b>                   | 1/2 Shoulder Width                  | cm | 45  | 48  |
| <b>E</b>                   | Sleeve Length                       | cm | 68  | 69  |
| <b>F</b>                   | 1/2 Cuff Width                      | cm | 8.5   | 9   |
| <b>G</b>                   | 1/2 Armhole Straight (seam to seam) | cm | 24  | 25  |
| <b>H</b>                   | 1/2 Upper Arm Width                 | cm | 20  | 21  |
| <b>I</b>                   | Neckhole (seam to seam)             | cm | 19  | 20  |
| <b>J</b>                   | Front Neckdrop (HSP to seam)        | cm | 9.5   | 10  |
| <b>K</b>                   | Back Neck Drop (HPS to seam)        | cm | 2   | 2   |
| <b>L1</b>                  | Hem Cuff Height                     | cm | 8.5   | 8.5 |
| <b>L2</b>                  | Sleeve Cuff Height                  | cm | 8.5   | 8.5 |
| <b>M</b>                   | Collar Cuff Height                  | cm | 5.5   | 5.5 |
| <b>N</b>                   | Inner Pocket Opening                | cm | 12  | 13  |
| <b>O1</b>                  | Sleeve Pocket Height                | cm | 12  | 12  |
| <b>O2</b>                  | Sleeve Pocket Width                 | cm | 10  | 10  |
| <b>P1</b>                  | Front Pocket Opening                | cm | 16  | 17  |
| <b>P2</b>                  | Front Pocket Flap Width             | cm | 2.5   | 2.5 |
| <b>Q</b>                   |                                     |    |   |     |
| <b>R</b>                   |                                     | cm |   |     |
| <b>S</b>                   |                                     | cm |   |     |
| <b>Comments</b>            |                                     |    |   |     |
| <b>Fitting</b>             |                                     |    | Regular Fit   |     |
| <b>Article Description</b> |                                     |    | Jacket, Set-In Style, rib-cuf<br>two front side pockets, insi |     |
| <b>Fabric</b>              |                                     |    |   |     |
| <b>Colors</b>              |                                     |    | Black,Olive   |     |

| L    | XL  | XXL  |
|------|-----|------|
| 70   | 72  | 74   |
| 61   | 64  | 67   |
| 44   | 47  | 50   |
| 51   | 54  | 57   |
| 70   | 71  | 72   |
| 10   | 11  | 12   |
| 26   | 27  | 28   |
| 22   | 23  | 24   |
| 21   | 22  | 23   |
| 10.5 | 11  | 11.5 |
| 2    | 2   | 2    |
| 8.5  | 8.5 | 8.5  |
| 8.5  | 8.5 | 8.5  |
| 5.5  | 5.5 | 5.5  |
| 13   | 14  | 14   |
| 12   | 13  | 13   |
| 10   | 11  | 11   |
| 17   | 18  | 18   |
| 2.5  | 2.5 | 2.5  |
|      |     |      |
|      |     |      |
|      |     |      |




---

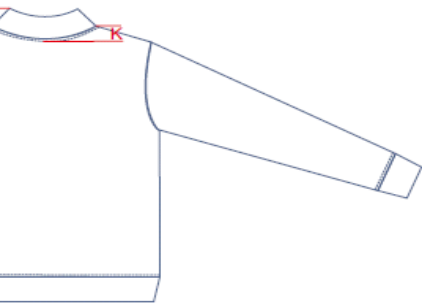
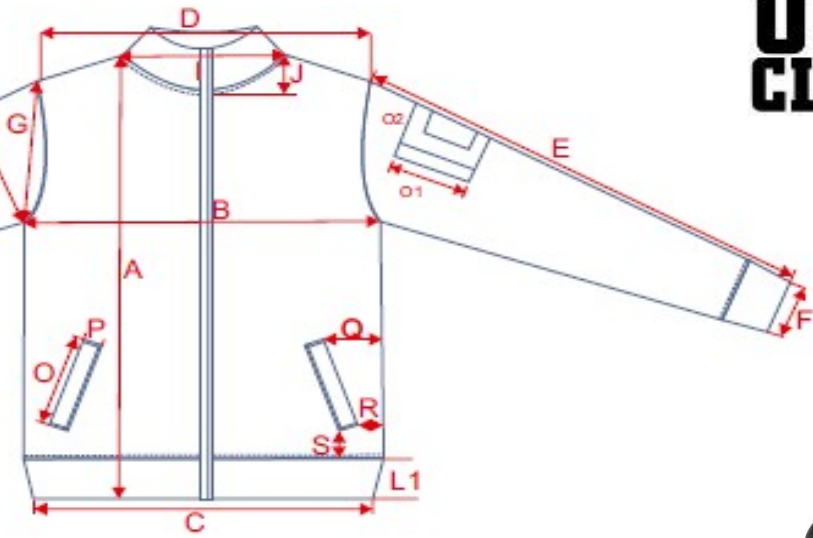
fs at the hem, sleeves-openings and neck, Pocket with metal-zipper on the left u  
 ide lining in orange, **inside pocket with zipper ?**

---



---

# URBAN CLASSICS



Upper-arm,